

# TRIANGO 80-1 C

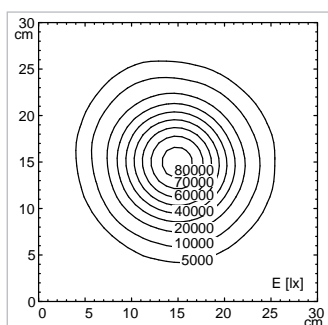
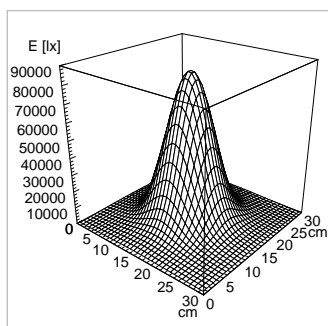
## TECHNICAL DATA

|                                |  |
|--------------------------------|--|
| FITTED WITH                    | 1 x LED module   |
| LUMINOUS POWER                 | 80 000 lux / 1,0 m *   |
| COLOR TEMPERATURE              | 4 500 K *  |
| ILLUMINANCE FIELD 1,0 m        | ø 18 cm*   |
| DEPTH OF ILLUMINATION          | 2,4 m  |
| COLOR RENDERING INDEX          | CRI > 95   |
| OPERATION EQUIPMENT            | Electronic converter   |
| VOLTAGE                        | 100-240 V; 50/60 Hz  |
| CORD LENGTH                    | Direct power supply  |
| LUMINAIRE BODY                 | Polycarbonate & acrylonitrile butadiene styrene copolymer (PC & ABS)           |
| WEIGHT (NET)                   | 14 kg  |
| POWER CONSUMPTION              | 30 Watt  |
| USAGE                          | Rotary switch on the luminaire head  |
| TECHNOLOGY                     | Single-pole secondary  |
| BALANCE OF ARTICULATION JOINTS | Spring (weight compensation)   |
| CLASS OF PROTECTION            | I  |
| PROTECTION RATING              | IP 43 (illumination head)  |
| STANDARDS MET                  | EN 60601-1, EN 60601-2-41  |
| SPECIAL FEATURES               | Continuously dimmable, sterilizable handle, maintenance-free                   |
| MOUNTING                       | Ceiling mount, ceiling tube could be cut to length 25-120 cm                   |
| ACCESSORIES                    | Sterilizable handle, disposable cover for handle, intermediate ceiling adapter |
| ORDER NUMBER                   | D16.131.000-00808951   |

## TREATMENT LIGHT

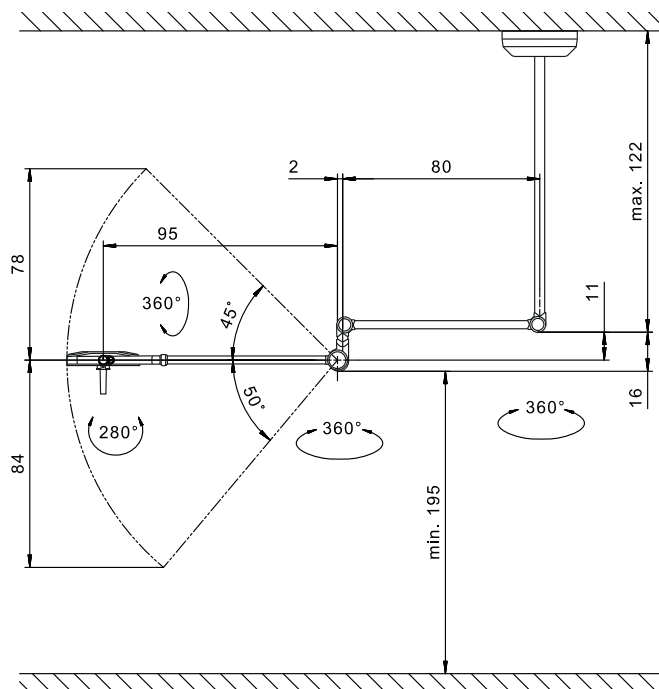


## LIGHT DISTRIBUTION



## ILLUMINATION HEAD (WARNING)

## TECHNICAL DRAWING



measurements in centimeters \* -10% / +20% tolerance